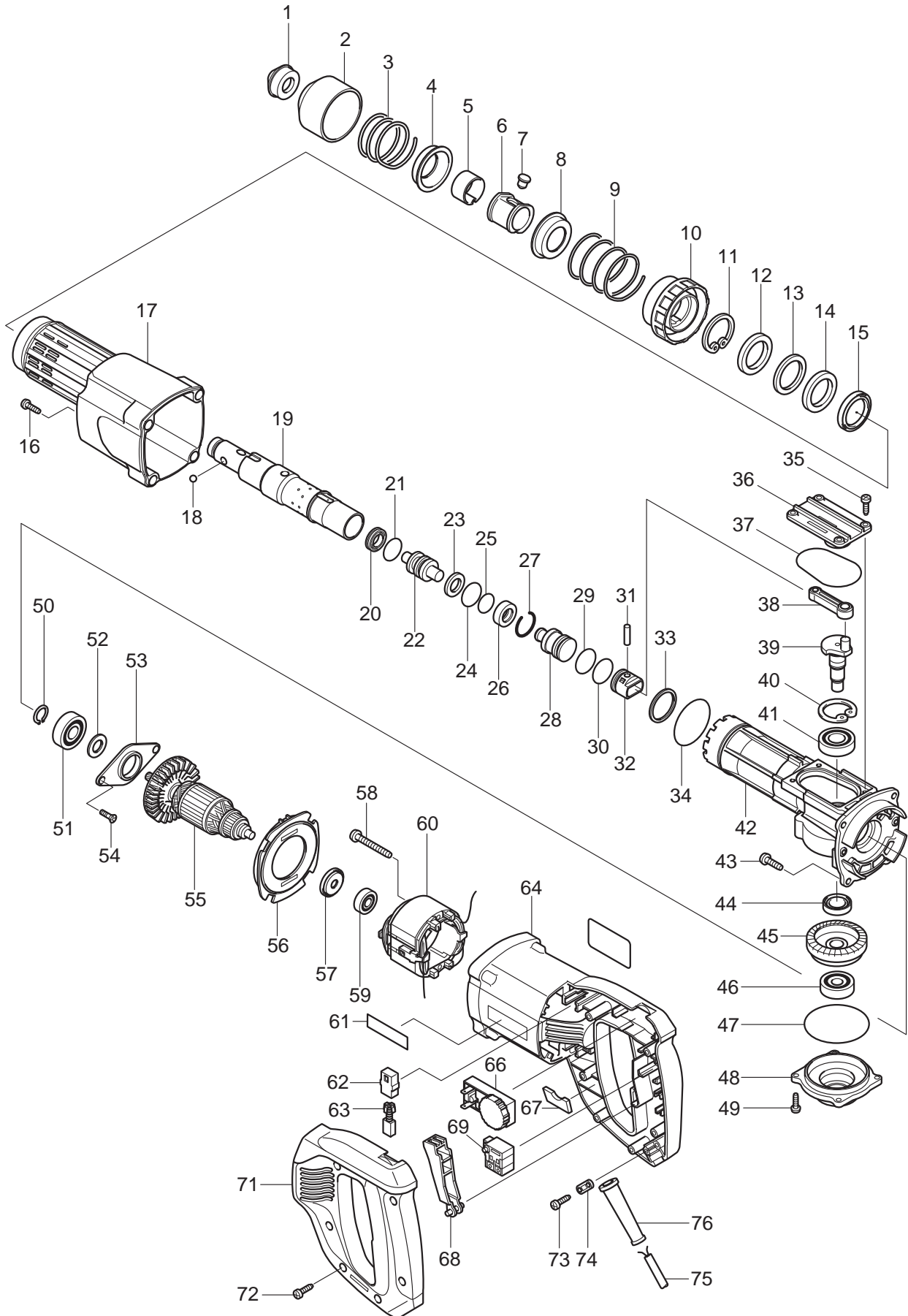




02 - 2010

HK0500

POWER SCRAPER 2000-3500 BPM-SDS



Item No	Type	Ref	Part No	SI Description	Qty	Unit
001	2		286265-0	CAP 31	1	PC.
002			416729-2	CHUCK COVER	1	PC.
003			233203-3	COMPRESSION SPRING 38	1	PC.
004			344691-0	SPRING GUIDE	1	PC.
005			232192-9	LEAF SPRING 26	1	PC.
006			323724-4	CHUCK RING	1	PC.
007			256447-8	PIN 8	1	PC.
008			344691-0	SPRING GUIDE	1	PC.
009			233238-4	COMPRESSION SPRING 38	1	PC.
010			416733-1	CHANGE RING	1	PC.
011			962156-6	RETAINING RING R-38	1	PC.
012			257218-6	RING 27	1	PC.
013			261113-4	URETHANE WASHER 28	1	PC.
014			257218-6	RING 27	1	PC.
015			213433-2	OIL SEAL 30	1	PC.
016			265995-6	TAPPING SCREW 4X18	2	PC.
017			416734-9	CRANK HOUSING COVER	1	PC.
018			216022-2	STEEL BALL 7.0	1	PC.
019	2		324063-5	TOOL HOLDER	1	PC.
020			213173-2	X RING 13	1	PC.
021			213214-4	O RING 16	1	PC.
022			324012-2	IMPACT BOLT	1	PC.
023			267192-0	FLAT WASHER 13	1	PC.
024			213175-8	O RING 14	1	PC.
025			213117-2	O RING 11	1	PC.
026			323846-0	O RING CASE	1	PC.
027			231987-7	RING SPRING 21	1	PC.
028			323848-6	STRIKER	1	PC.
029			213227-5	O RING 16	1	PC.
030			213227-5	O RING 16	1	PC.
031			256123-4	PIN 5	1	PC.
032			416726-8	PISTON	1	PC.
033			267129-7	FLAT WASHER 27	1	PC.
034			213560-5	O RING 44	1	PC.
035			266034-5	TAPPING SCREW CT 4X16	4	PC.
036			416732-3	CRANK CAP	1	PC.
037			213656-2	O RING 53	1	PC.
038			416727-6	ROD	1	PC.
039			323826-6	CRANK SHAFT	1	PC.
040			962151-6	RETAINING RING R-32	1	PC.
041			211232-6	BALL BEARING 6002LLU	1	PC.
042			151543-6	CRANK HOUSING COMPLETE	1	PC.
		INC.	262079-1	SLEEVE 27	1	PC.
043			266021-4	TAPPING SCREW 5X20	4	PC.
044			213219-4	OIL SEAL 15	1	PC.
045			226779-7	SPIRAL BEVEL GEAR 41	1	PC.
046			211066-7	BALL BEARING 6200LLB	1	PC.
047			213663-5	O RING 55	1	PC.
048			151579-5	GEAR COVER COMPLETE	1	PC.
		INC.	263002-9	RUBBER PIN 4	1	PC.
049			266034-5	TAPPING SCREW CT 4X16	4	PC.
050			961052-5	RETAINING RING S-12	1	PC.
051			211129-9	BALL BEARING 6201DDW	1	PC.

Item No	Type	Ref	Part No	SI Description	Qty	Unit
052			253069-5	FLAT WASHER 12	1	PC.
053			285690-2	BEARING RETAINER 68	1	PC.
054			251304-5	+ COUNTERSUNK HEAD SCREW M4X12	2	PC.
055			516356-6	ARMATURE ASS'Y 115V	1	PC.
		INC.	240021-2	FAN 60	1	PC.
		INC.		Item No. 57,59		
056			416730-7	BAFFLE PLATE	1	PC.
057			681644-1	INSULATION WASHER	1	PC.
058			266211-9	TAPPING SCREW 5X40	2	PC.
059			210005-4	BALL BEARING 608DDW	1	PC.
060			594316-8	FIELD ASS'Y 115V	1	PC.
		INC.	654069-2	RECEPTACLE	1	PC.
061			819063-3	MAKITA LABEL	1	PC.
062			643605-9	BRUSH HOLDER	2	PC.
063	2		194978-8	A.C. CARBON BRUSH CB-113 2PC/SET (W/ ORIGIN)	1	SET
064			416736-5	MOTOR HOUSING	1	PC.
065			851374-0	NAME PLATE HK0500	1	PC.
066			631290-0	CONTROLLER 100-120V	1	PC.
067			423308-9	SPONGE SHEET 13-33	1	PC.
068			416728-4	SWITCH LEVER	1	PC.
069			651969-7	SWITCH	1	PC.
071			151544-4	HANDLE COVER COMPLETE	1	PC.
		INC.	263002-9	RUBBER PIN 4	2	PC.
072			265995-6	TAPPING SCREW 4X18	6	PC.
073			265995-6	TAPPING SCREW 4X18	2	PC.
074			687063-9	CORD CLAMP (STRAIN RELIEF)	1	PC.
075			660023-6	CORD W/PLUG 2P-18-5.0M, SJ	1	PC.
076			682503-2	CORD GUARD 8-90	1	PC.
077			231979-6	RING SPRING 17 (Added)	1	PC.
078			135167-6	TOOL HOLDER ASS'Y (Added)	1	PC.
		INC.		Item No. 19-27	1	PC.
100			652008-6	P.H. SCREW M3.5 X 7	2	PC.
101			654037-5	INSULATED EYE TERMINAL FT1.25-M3	1	PC.
103			534024-9	LEAD ASSY (PURPLE)	1	PC.
104			654532-5	TERMINAL BLOCK 1P	1	PC.
105			654002-4	TERMINAL 1.25-M4	2	PC.
E01			892672-3	CAUTION LABEL (SP)	1	PC.

ACCESSORIES

A01	2		A-87052	SCALING CHISEL 40-250	1	PC.
A02			824523-2	PLASTIC CARRYING CASE	1	PC.
		INC.	163455-1	LATCH	2	PC.
A03	2		D-08713	SDS PLUS BULLPOINT 14-250	1	PC.
A04	2		A-87046	SDS PLUS COLD CHISEL 20-250	1	PC.
A05			A-90582	MAKITA GREASE R NO.00 30CC (1OZ)	1	PC.
A06	2		194683-7	GREASE VESSEL SET, 100CC, PUMP TYPE, FOR BIT	1	PC.
A09			193397-5	HAMMER SERVICE KIT	1	PC.

SERVICE CHANGES

1. Modification of Tool Holder and addition of Ring Spring 17

Item No.	Description	Type 1	Type 2
19	Tool Holder	323839-7 (N/L/A)	324063-5
77	Ring Spring 17	-----	231979-6
	Serial No.	~ 17773E	17774E ~

Above parts are completely interchangeable as a set.

